

CNC Caliper P4 24

Code 206101

Spare Parts • Ricambi

Spring / Molletta
206007

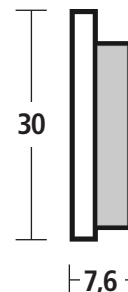
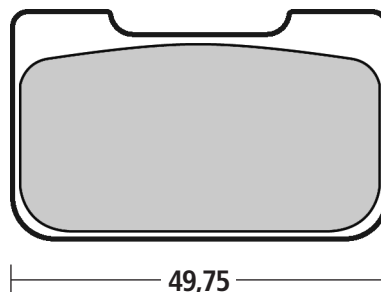
Bleeding screw / Vite spurgo
101739



40

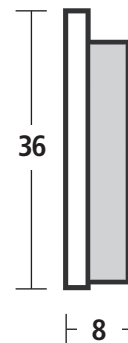
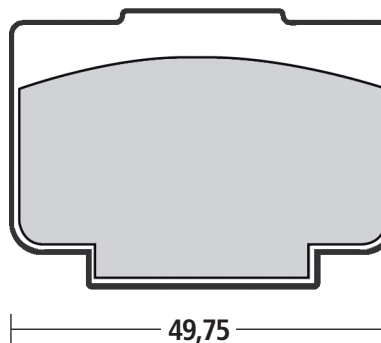
| Code | Performance | Life |
|----------|-------------|------|
| 07934020 | • | • |
| X988831 | + | - |
| 988822 | ++ | -- |

To be used with 24 mm. rotor brake disc height
Pastiglia da utilizzare con fascia frenante h = 24 mm.



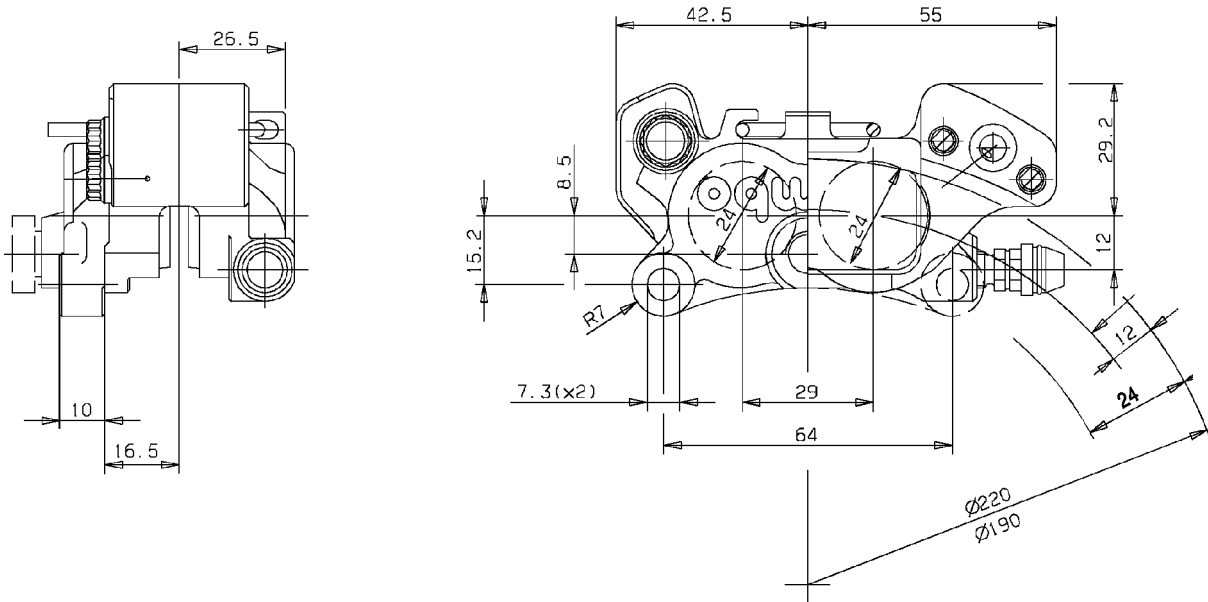
| Code | Performance | Life |
|----------|-------------|------|
| 07934010 | • | • |
| 988802 | ++ | -- |

To be used with 30 mm. rotor brake disc height
Pastiglia da utilizzare con fascia frenante h = 30 mm.



CNC Caliper P4 24

Code 206101



Technical Characteristic • Caratteristiche Tecniche

| | |
|---|--------------------------------------|
| Pistons ø ø Pistoni | 24 mm. |
| Construction material Materiale | CNC Aluminium Alluminio CNC |
| Finishing Finissaggio | Hard anodizing Anodizzazione dura |
| Weight Massa | 262 gr. |
| Brake fluid Fluido freni | DOT 4 |
| Average pads surface Superficie media materiale d'attrito | 11,4 cmq. |

Titanium pistons and hardware.
Pistoni e viteria in titanio.