

# CNC Caliper (for rear ventilated disc) P4 24

## Code 206121

Spare Parts • Ricambi

Spring / Molletta

**206007**

Bleeding screw / Vite spurgo

**101739**



42

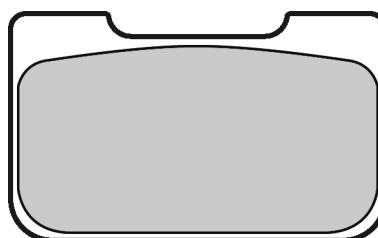
| Code | Performance | Life |
|------|-------------|------|
|------|-------------|------|

|          |   |   |
|----------|---|---|
| 07934020 | • | • |
|----------|---|---|

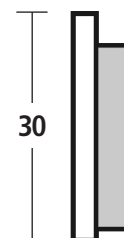
|         |   |   |
|---------|---|---|
| X988831 | + | - |
|---------|---|---|

|        |    |    |
|--------|----|----|
| 988822 | ++ | -- |
|--------|----|----|

To be used with 24 mm. rotor brake disc height  
 Pastiglia da utilizzare con fascia frenante h= 24mm.



49,75



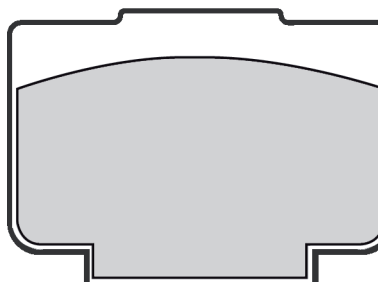
7,6

| Code | Performance | Life |
|------|-------------|------|
|------|-------------|------|

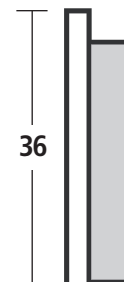
|          |   |   |
|----------|---|---|
| 07934010 | • | • |
|----------|---|---|

|        |    |   |
|--------|----|---|
| 988802 | ++ | - |
|--------|----|---|

To be used with 30 mm. rotor brake disc height  
 Pastiglia da utilizzare con fascia frenante h= 30 mm.

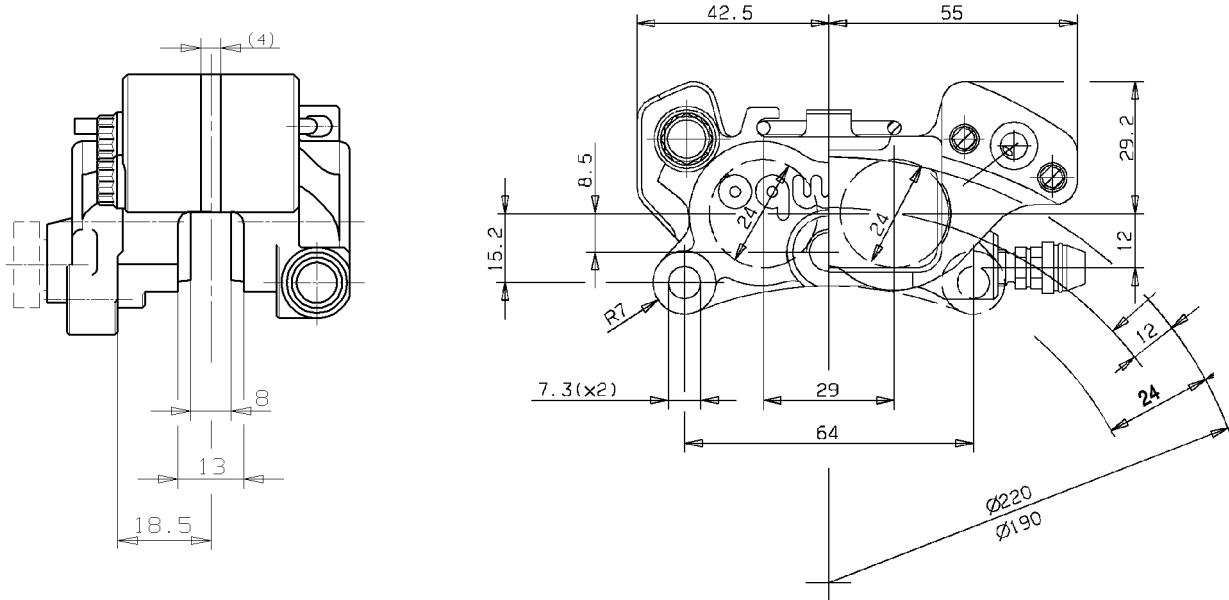


49,75



8

# CNC Caliper (for rear ventilated disc) P4 24 Code 206121



## Technical Characteristic • Caratteristiche Tecniche

|   |                                      |
|---|--------------------------------------|
| <b>Pistons ø</b><br>ø Pistoni                                       | 24 mm.                               |
| <b>Construction material</b><br>Materiale                           | CNC Aluminium<br>Alluminio CNC       |
| <b>Finishing</b><br>Finissaggio                                     | Hard anodizing<br>Anodizzazione dura |
| <b>Weight</b><br>Massa  | 262 gr.                              |
| <b>Brake fluid</b><br>Fluido freni                                  | DOT 4                                |
| <b>Average pads surface</b><br>Superficie media materiale d'attrito | 11,4 cmq.                            |

*Titanium pistons and hardware.*  
Pistoni e viteria in titanio.